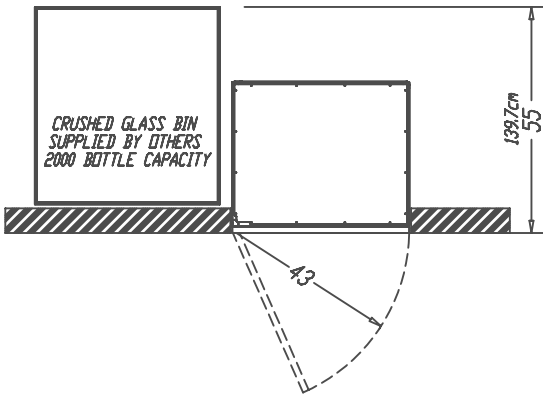
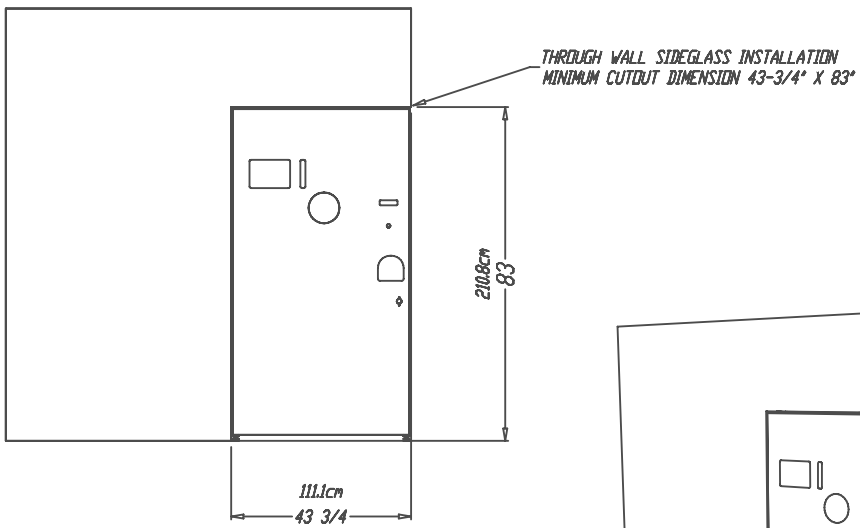
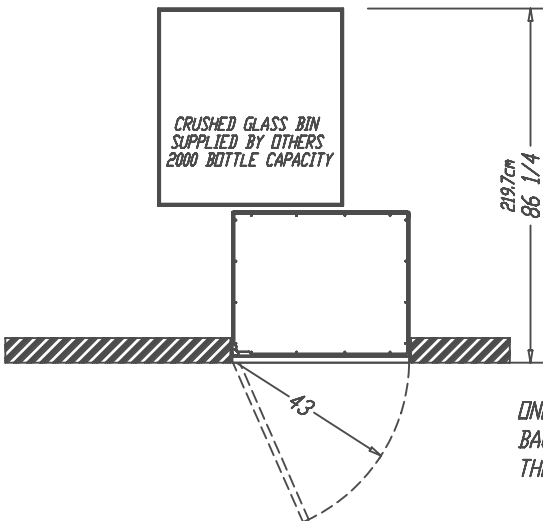


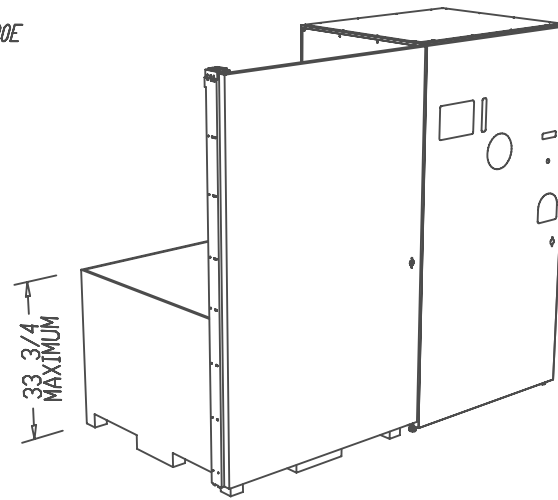
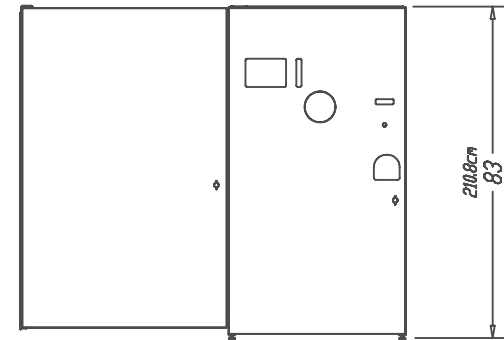
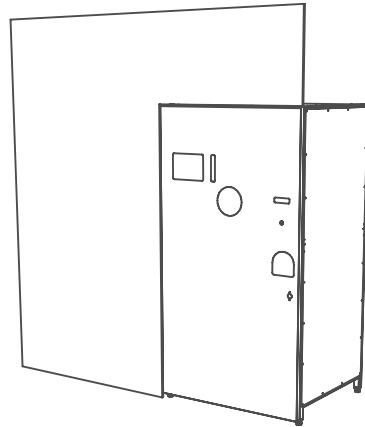
OneStop[®] Specifications



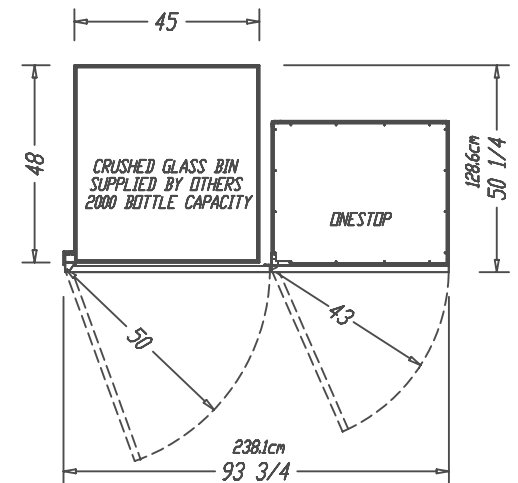
ONESTOP CAN AND PLASTIC #80000E
SIDE GLASS CRUSHER #80000G
THROUGH WALL OPTION



ONESTOP CAN AND PLASTIC #80000E
BACK GLASS CRUSHER #80000H
THROUGH WALL OPTION



ONESTOP CAN AND PLASTIC #80000E
SIDE GLASS CRUSHER #80000G
PLUS DOOR OPTION #80000



2525 SE Stubb St., Milwaukie, OR 97222
 fax 503-232-8453 | sales@canandbottle.com | www.canandbottle.com
 OneStop[®] is a registered trademark of Can & Bottle Systems, Inc.

